

The last bastion of privacy, a space of peace and tranquility, your Bathroom  
 Enjoy the look and feel of our European Bathroom fittings and fixtures.  
 Designed and made to the highest International and Australian standards.

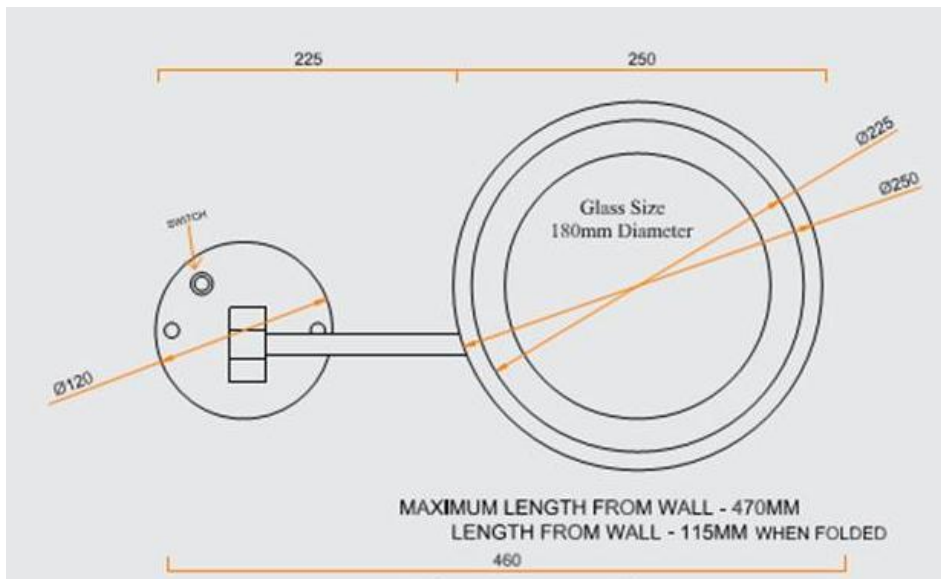


SYDNEY  
 Woollahra  
 163 Edgecliff Road  
 Woollahra NSW 2025  
 T 02 9386 9809

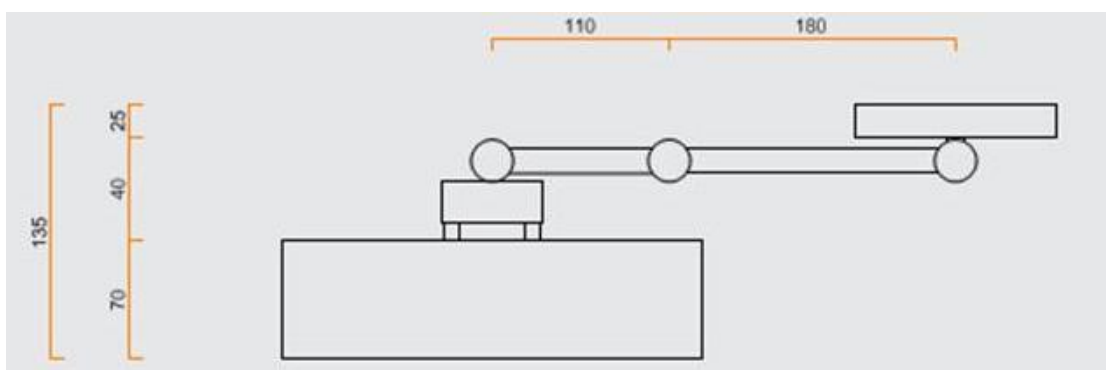
Chatswood  
 Unit 36/28 Barcoo Street  
 Chatswood NSW 2067  
 T 02 9882 2044

MELBOURNE  
 Richmond  
 229 Swan Street  
 Richmond VIC 3121  
 T 03 9428 9996

### Lumia Hotel Style Mirror



- Code: THR-02
- 3 x Magnification
- 255mm Diameter
- Extends Up To 400mm
- 3 Watt White LED Light
- Concealed Wiring
- DR Brass Construction
- Polished Chrome



As part of ACS commitment to quality products, information provided in this data sheet is representative of the actual product available at the time of printing. Due to our commitment to continuous product design and development, the designs and specifications depicted are subject to change without notice. Please confirm all particulars with your ACS sales consultant prior to purchase. Each product is covered by a limited warranty. Please see our website for full terms and conditions. This drawing remains the property of ACS and should not be copied or distributed without ACS consent. © 2010 All Dimensions are approximate in mm and are not to scale.